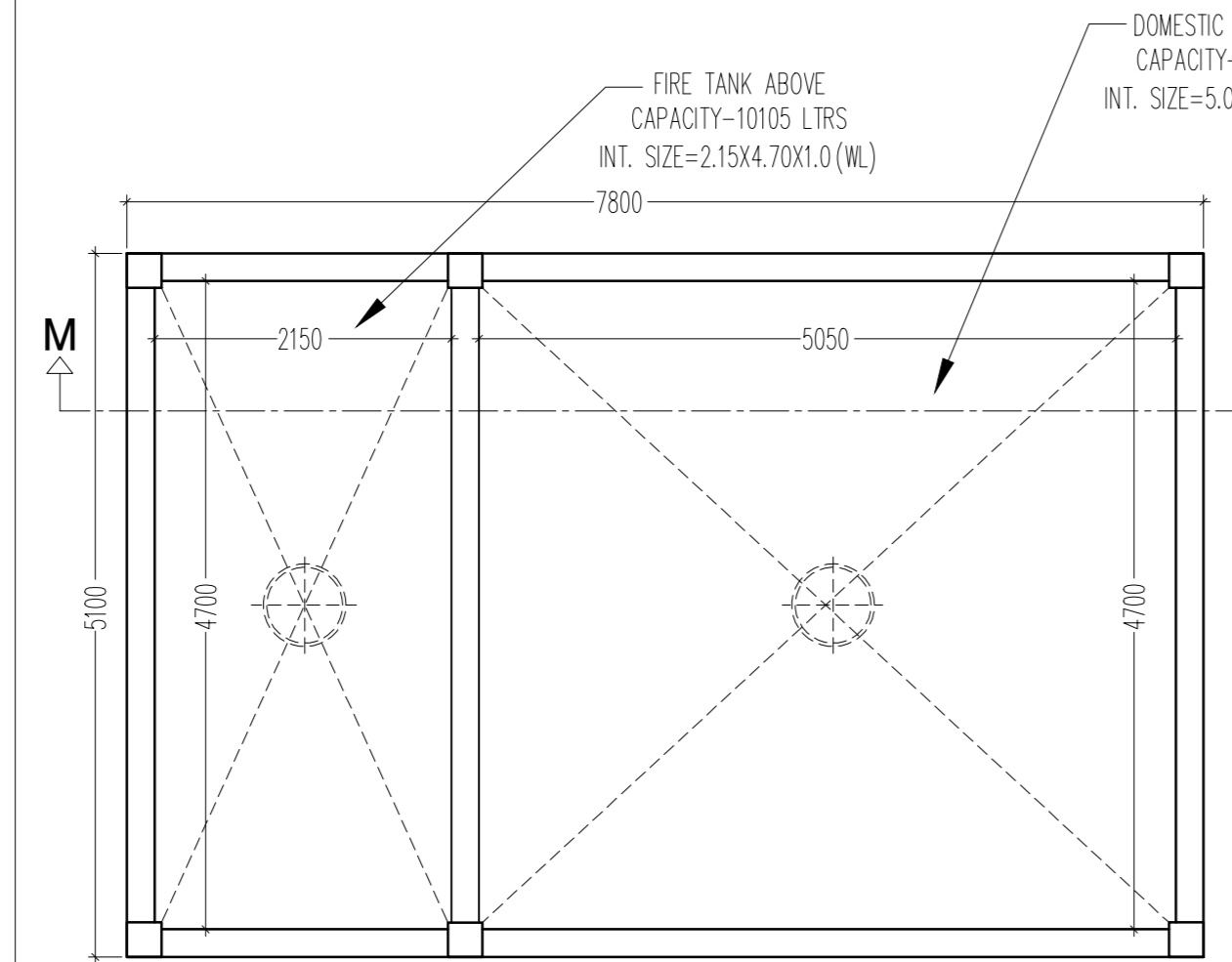
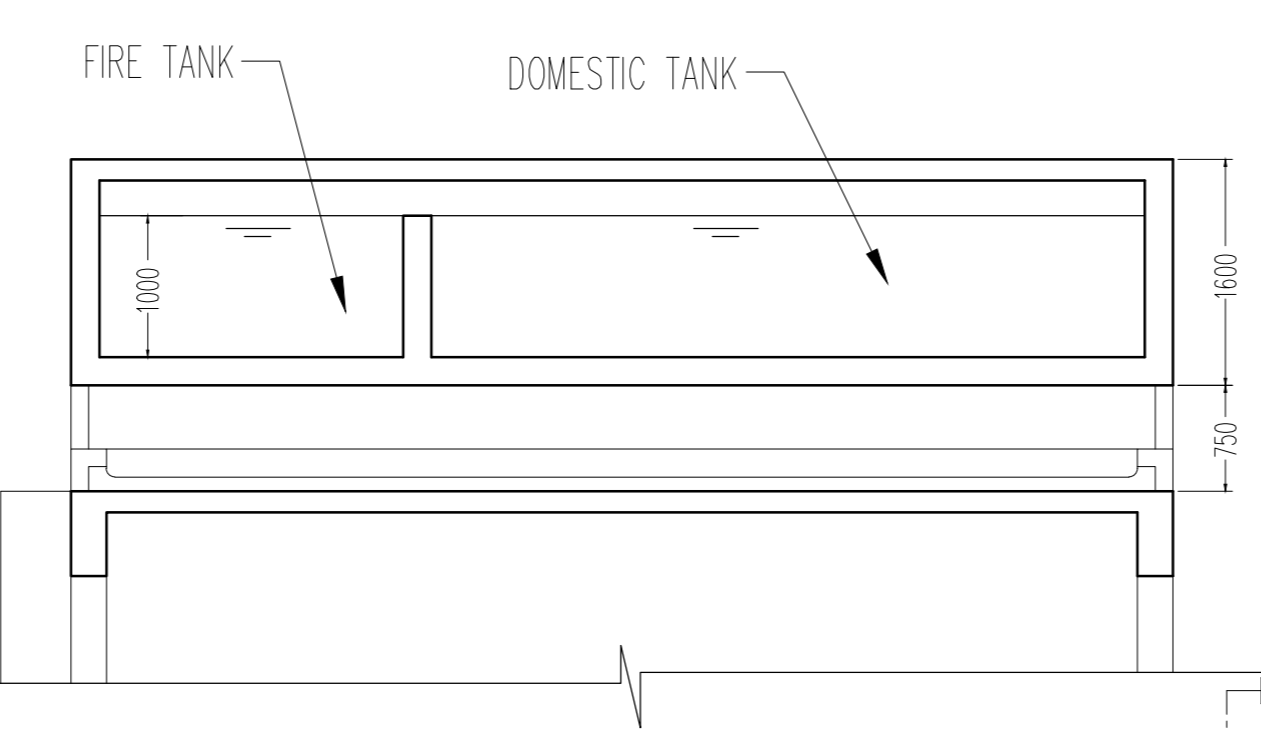




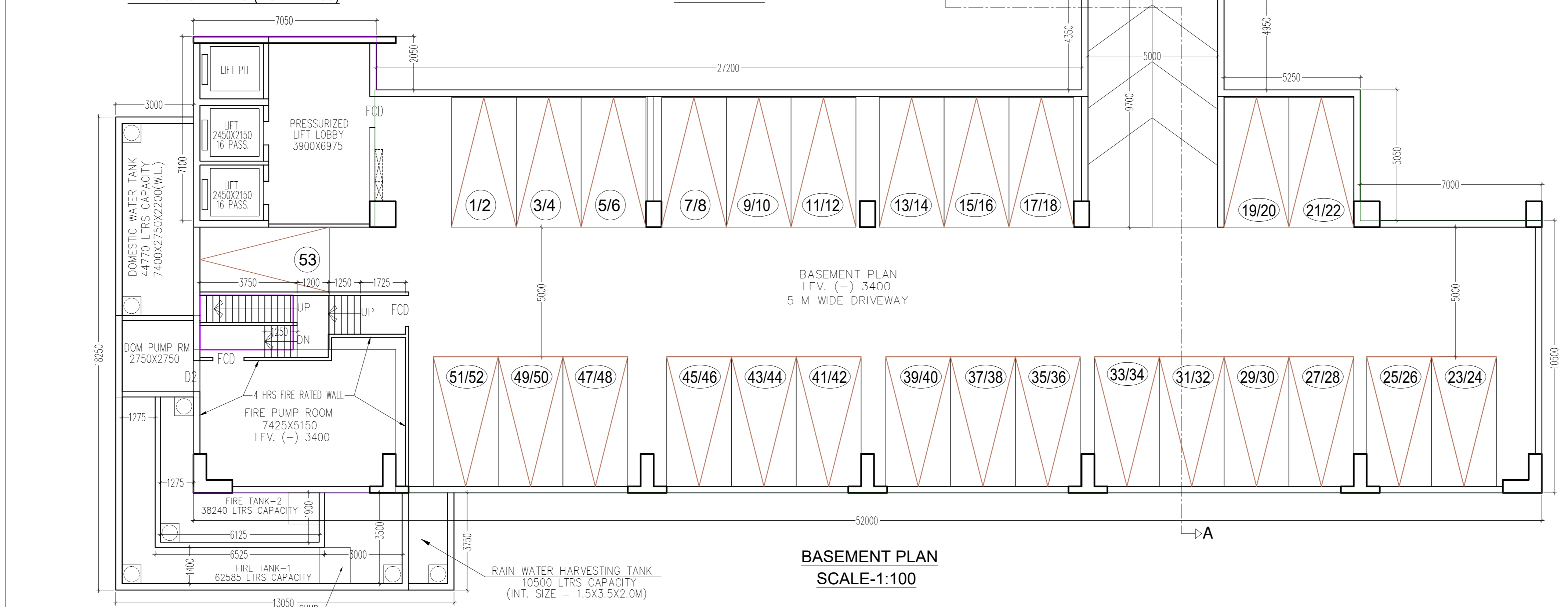
SECTION - B-B
SCALE:1:100



PLAN OF OVERHEAD WATER RESERVOIR
FIRE & DOMESTIC (SCALE:1:50)



SECTION M-M
SCALE:1:50



BASEMENT PLAN
SCALE:1:100

SCHEDULE OF DOORS				
TYPE	SILL	LINTEL	SIZE	REMARKS
D	-	2400	1800X2400	
D1	-	2400	1500X2400	
D2	-	2400	1200X2400	
D3	-	2400	900X2400	
D4	-	2100	750X2100	
FCD	-	2400	1200X2400	
FCD1	-	2400	1800X2400	

SCHEDULE OF WINDOWS				
TYPE	SILL	LINTEL	SIZE	REMARKS
W3	1050	2400	1200X1350	
W4	900	2400	900X1500	
V	1200	2100	600X900	
WS	900	2400	1800X1500	
FG	100	BEAM BOTT	AS PER PLAN	

SIGNATURE OF OWNER
MAHESH KUMAR AGARWAL
 DIRECTOR
 SANMARG NEWS AND ALLIED SERVICES PVT LTD
 ADDRESS: 220A, A.J.C BOSE ROAD, CHITRAKOOT BUILDING, 7TH FLOOR,
 KOLKATA - 700020

CERTIFICATE OF ARCHITECT
 I CERTIFY THAT ALL THE ARCHITECTURAL DRAWINGS OF THE PROJECT AT PREMISES NO. - 03-0775, RAJARHAT, HAVE BEEN PREPARED BY ME COMPLYING WITH THE NEW TOWN KOLKATA BUILDING RULES, 2009. I ALSO CERTIFY THAT THE PLANS AND DRAWINGS PREPARED BY ME COMPLY WITH ALL PROVISIONS REGARDING THE FIRE PROTECTION AS PER THE PREVAILING NATIONAL BUILDING CODE. I SHALL BE HELD RESPONSIBLE IF ANY INCORRECT INFORMATION IS FURNISHED BY ME OR ANY VIOLATION OF PROVISIONS OF THESE RULES OR THE PREVAILING NATIONAL BUILDING CODE IS FOUND IN ANY OF THE DRAWINGS AND DOCUMENTS, SIGNED BY ME AND SUBMITTED TO THE SANCTIONING AUTHORITY FOR OBTAINING COMPLETION CERTIFICATE.

SIGNATURE OF ARCHITECT
RAJKUMAR AGARWAL
 ACHR/NKDA/10/00106

CERTIFICATE OF STRUCTURAL ENGINEER
 CERTIFIED THAT THE STRUCTURAL DRAWING AND DESIGN OF BOTH THE FOUNDATION AND SUPERSTRUCTURE OF THE BUILDING/BUILDINGS HAS BEEN MADE CONSIDERING THE SOIL TEST REPORT, (AS PER THESE RULES AND REGULATIONS MADE UNDER THE ACT) AND ALSO CONSIDERING ALL POSSIBLE LOADS, SEISMIC LOAD AND THE MOMENTS GENERATED BY THE EXISTING STRUCTURE AS PER THE BUREAU OF INDIAN STANDARD AND NATIONAL BUILDING CODE OF INDIA AND CERTIFIED THAT IT IS SAFE AND STABLE IN ALL RESPECT AND THESE PROVISIONS WERE ADHERED TO DURING THE CONSTRUCTION.

SIGNATURE OF STRUCTURAL ENGINEER
ANKIT AGARWALA
 STER/NKDA/10/00105

IT IS CERTIFIED THAT THE COMPREHENSIVE GEO-TECHNICAL REPORT ON SOIL INVESTIGATION HAS BEEN PREPARED BY ME FOR DESIGN AND CALCULATION OF THE FOUNDATION BY ANALYZING THE SOIL SAMPLE FOR ESTIMATING THE BEARING CAPACITY OF THE SOIL ON WHICH FOUNDATION OF THE STRUCTURE HAS BEEN CONSTRUCTED. I HAVE ALSO CHECKED THE NATURE OF THE SOIL AFTER EXCAVATION AT SITE & THE FOUNDATION IS EXTENDED UP TO APPROPRIATE DEPTH THAT HAS BEEN PROPOSED IN THE GEO-TECHNICAL REPORT.

SIGNATURE OF GEO-TECHNICAL ENGINEER
ALOK ROY
 OTER/HDCO/09/00003

TITLE
**SECTION B-B , BASEMENT PLAN
 AND OVERHEAD TANK DETAILS**

PROJECT
 COMPLETION PLAN OF B+G+IX STORIED
 BUSINESS BUILDING AT PREMISES NO:
 03-0775, PLOT NO.-IID/24, ACTION
 AREA-IID, NEWTOWN,
 KOLKATA-700161, UNDER NEWTOWN P.S.
 KOLKATA.

DATE	JOB. NO.	DEALT	SCALE	SHEET NO.
08.12.25	ARCH/2023/788	POULAMI	1:100	8/8

ARCHITECTURAL DRAWING-08/08
RAJ AGRAWAL & ASSOCIATES
 8B, ROYD STREET, KOLKATA - 16

